

Linear Measuring Technology

Length measuring kits **Spring encoder arm**



Robust and reliable

- Max. 40 N, adjustable spring pressure available in any position
- Pressure for each notch appr. 20 N (first notch between 0 and appr. 20 N)
- Wide temperature range -40°C ... +120°C

Versatile

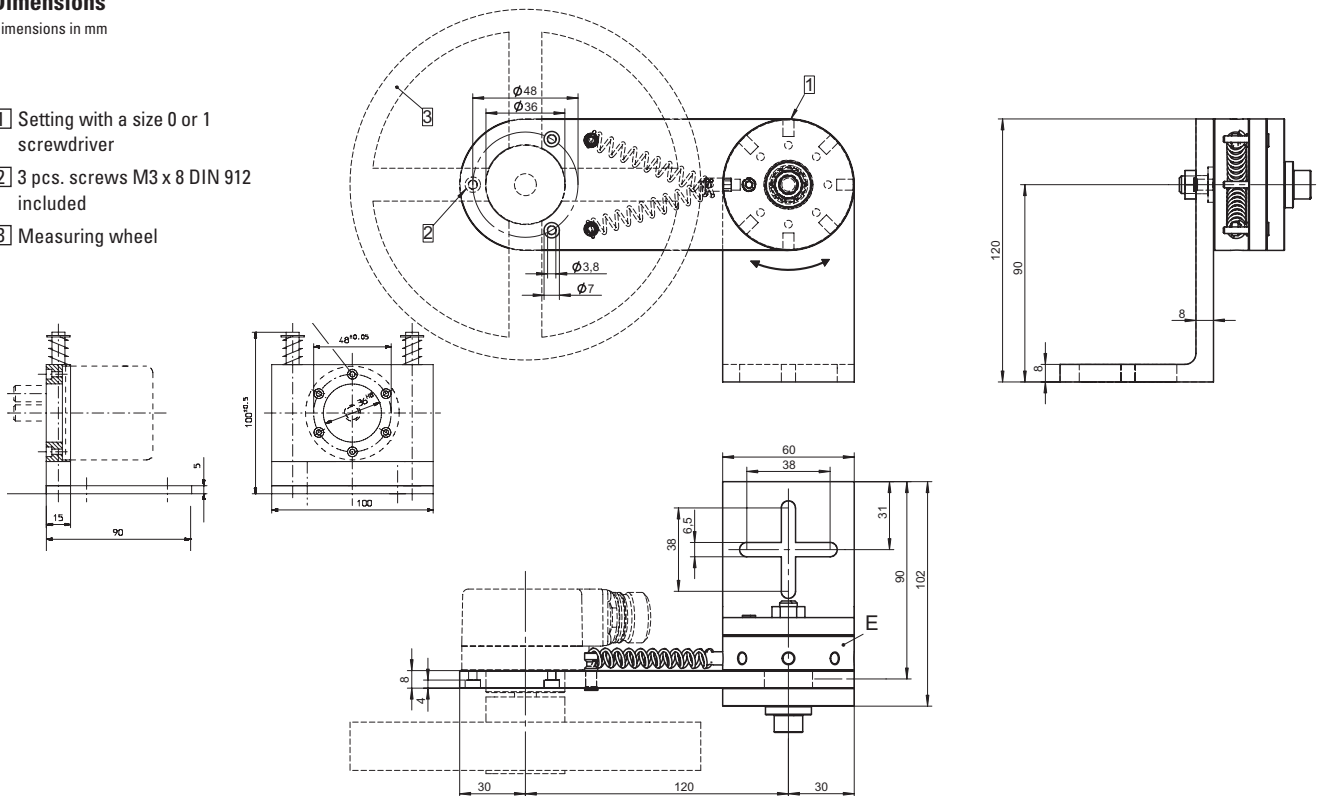
- Can be installed in any mounting position 9 setting positions in 40° steps
- Base plate – variable in 4 directions

Order code **8.0010.7000.0010**

Dimensions

Dimensions in mm

- 1 Setting with a size 0 or 1 screwdriver
- 2 3 pcs. screws M3 x 8 DIN 912 included
- 3 Measuring wheel



Linear Measuring Technology