

# MINIATURE CIRCUIT BREAKERS



**TD3 M06 6kA MCBs**  
 Functions: protection against overloads and short circuits, switching and isolation.  
 Application: in commercial and industrial electrical distribution systems.

**TD3 M10 10kA MCBs**  
 Functions: protection against overloads and short circuits, switching and isolation.  
 Application: in commercial and industrial electrical distribution systems.

**TD31P1M 1 pole + N in 1 module**  
 Functions: protection against overloads and short circuits, switching and isolation.  
 Application: single phase circuits where neutral must be switched.

**TD3 XA MCBs < 125A**  
 Functions: protection against overloads and short circuits, switching and isolation.  
 Application: to feed large loads or downstream distribution boards

**TD3 ICP**  
 MINIATURE CIRCUIT BREAKERS FOR UTILITY SUPPLIES  
 Function: protection against overloads and short-circuits. Switching and isolation.  
 Application: restriction of maximum current supplied to user by electricity utility company

Breaking capacity:  $I_{cn} = 6kA$  to EN 60898.  
 Certified by KEMA  
 Voltage:  $U_n$ : 230 -240V AC phase-to-neutral, 400-415V AC phase-to-phase  
 Pollution degree: 3  
 Rigid conductor: 25mm<sup>2</sup> maximum  
 Flexible conductor: 16mm<sup>2</sup> maximum  
 Dual bottom terminal allows simultaneous connection of busbar and cable

Breaking capacity:  $I_{cn} = 10kA$  to EN60898, Certified by KEMA  
 Voltage:  $U_n$ : 230 -240V AC phase-to-neutral, 400-415V AC phase-to-phase  
 Rigid conductor: 35mm<sup>2</sup> maximum  
 Flexible conductor: 25mm<sup>2</sup> maximum  
 Dual bottom terminal allows simultaneous connection of busbar and cable

Breaking capacity:  $I_{cn} = 6kA$  to EN 60898  
 Voltage:  $U_n$ : 240V AC  
 Pollution degree: 2  
 Rigid conductor: 16mm<sup>2</sup> maximum  
 Flexible conductor: 10mm<sup>2</sup> maximum

Breaking capacity:  $I_{cn} = 10kA$  to EN 60898  
 Breaking capacity:  $I_{cu} = 10kA$  to EN 60947-2  
 Voltage:  $U_n$ : 240V AC phase-to-neutral, 415V AC phase-to-phase  
 Rigid conductor: 50mm<sup>2</sup> maximum  
 Flexible conductor: 35mm<sup>2</sup> maximum

Standard: UNE EN 20317  
 Breaking Capacity: 6kA  
 Voltage:  $U_n$ : 230 -240V AC phase-to-neutral, 400-415V AC phase-to-phase  
 Rigid conductor: 25mm<sup>2</sup> maximum  
 Flexible conductor: 16mm<sup>2</sup> maximum  
 Dual bottom terminal allows simultaneous connection of busbar and cable

Poles	In (A) at 30°C		
	DIN Modules	B Type	C Type
1P	1	6-63	6-63
1P+N	2		6-63
2P	2	6-63	6-63
3P	3	6-63	6-63
3P+N	4		6-63
4P	4	6-63	6-63

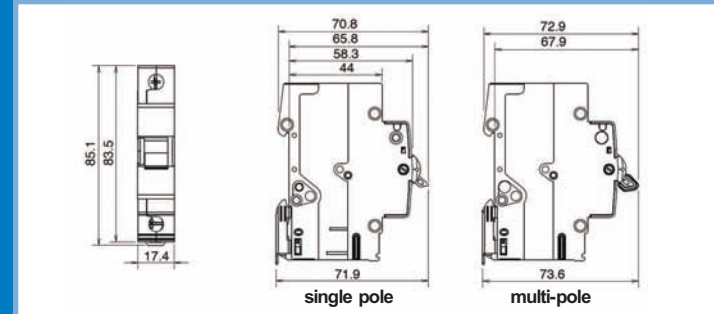
Poles	In (A) at 30°C			
	DIN Modules	B Type	C Type	D type
1P		16-63	2-63	1-63
1P+N	2		6-63	
2P	2	6-63	2-63	1-63
3P	3	6-63	2-63	1-63
3P+N	4		2-63	
4P	4	6-63	2-63	1-63

Poles	In (A) at 30°C		
	DIN Modules	B Type	C Type
1P+N	1	6-40	6-40

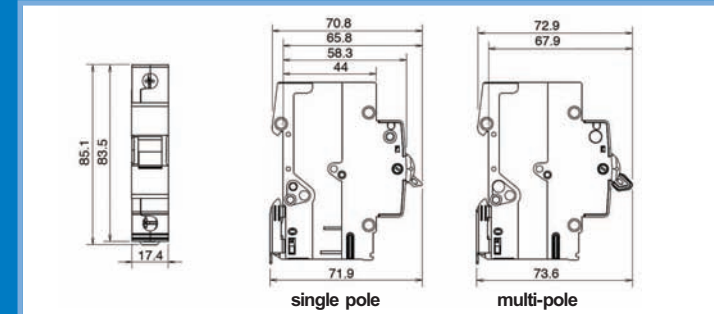
Poles	In (A) at 30°C		
	DIN Modules	B Type	C Type
1P	1.5	80, 100, 125	80, 100, 125
2P	3	80, 100, 125	80, 100, 125
3P	4.5	80, 100, 125	80, 100, 125
4P	6	80, 100, 125	80, 100, 125

Poles	In (A)	
	DIN Modules	B Type
1P	1	5-63
1P+N	2	5-63
2P	2	5-63
3P	3	5-63
4P	4	5-63

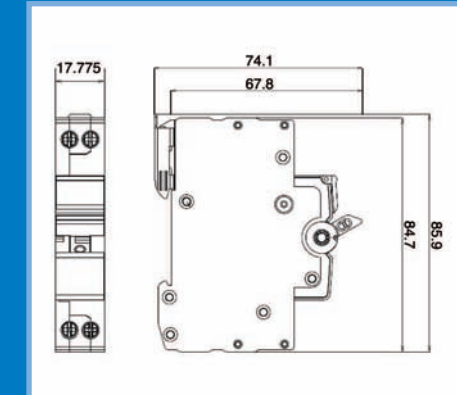
## DIMENSIONS



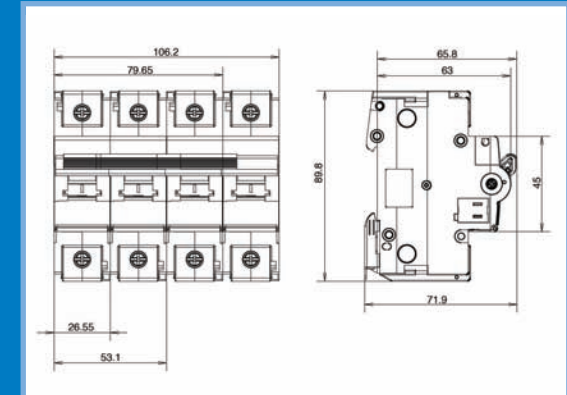
## DIMENSIONS



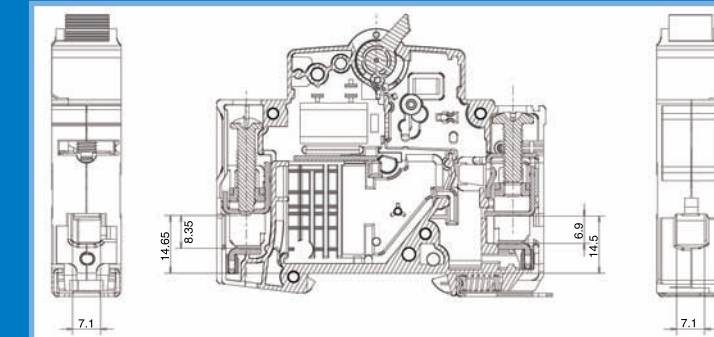
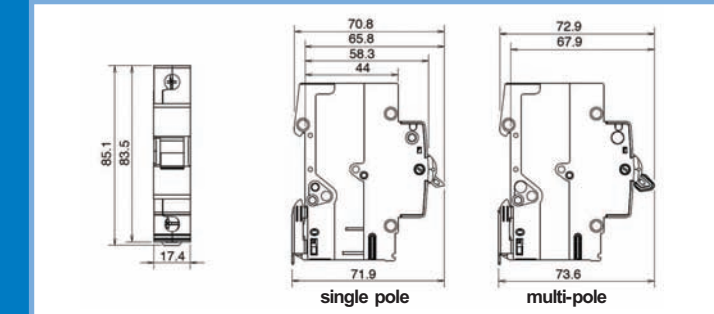
## DIMENSIONS



## DIMENSIONS



## DIMENSIONS



# RESIDUAL CURRENT CIRCUIT BREAKERS



**TD3RCBB**  
 Function: detection and interruption of earth leakage current  
 Application: protection from electric shock. Must be combined with an upstream device providing appropriate overload and short-circuit protection for the circuit.

**TD3RCBO Residual current circuit breaker with overload protection**  
 Function: detection and interruption of earth leakage current, overloads and short-circuits.  
 Application: commercial premises. Neutral conductor is switched on 2-module versions and unswitched on 1-module versions

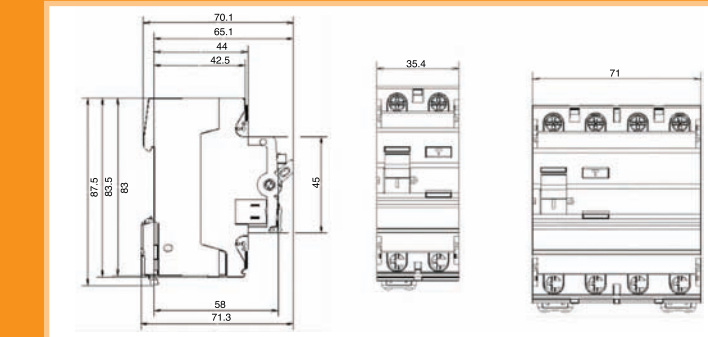
Standard: EN 61008-1  
 Voltage:  $U_n$ : 240V AC phase-to-neutral, 415V AC phase-to-phase  
 Residual current breaking capacity:  $I_m = 1500A$   
 Rigid conductor: 25mm<sup>2</sup> maximum  
 Flexible conductor: 16mm<sup>2</sup> maximum

Breaking capacity  $I_{cn}$ : 6kA (2P), 10kA (1P) to EN 61009-1  
 Voltage:  $U_n$ : 240V AC  
 Rigid conductor: 16mm<sup>2</sup> maximum (1P), 25mm<sup>2</sup> maximum (2P)  
 Flexible conductor: 10mm<sup>2</sup> maximum (1P), 16mm<sup>2</sup> (2P)

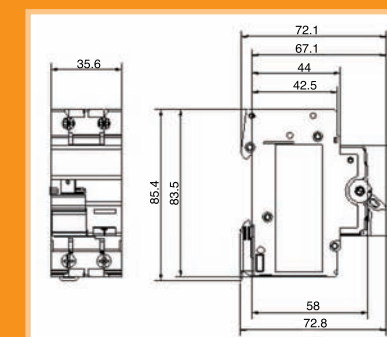
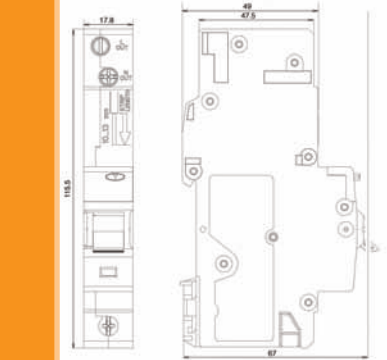
Poles	In (A) at 30°C		
	DIN Modules	30mA	300mA
2P	2	25-63 types AC, A	25-63, type AC
4P	4	25-100 types AC, A	25-100 types AC, A AC-S

DIN Modules	In (A) at 30°C	
	30mA	300mA
1	6-40, types B, C	
2	25-100 types AC, A, AC-S	25-100 types AC, A, AC-S

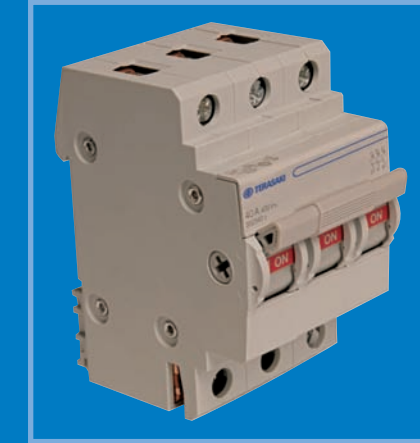
## DIMENSIONS



## DIMENSIONS



# MODULAR SWITCHES



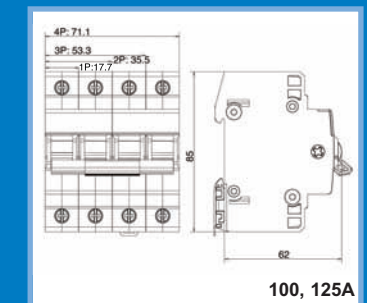
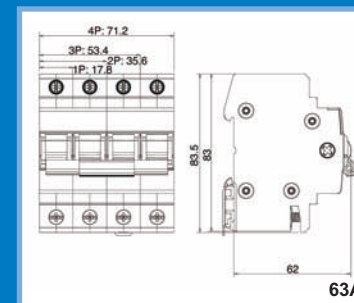
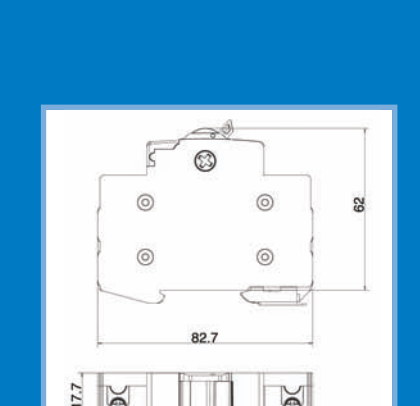
**TD3 MS**  
 Function: switching and isolation of circuits  
 Application: control systems, distribution systems

Standard: EN 60947-3  
 Class: AC 22  
 Voltage:  $U_n$ : 240V AC phase-to-neutral, 415V AC phase-to-phase  
 Rigid conductor: 16mm<sup>2</sup> maximum (32A), 25mm<sup>2</sup> maximum (63A), 50mm<sup>2</sup> maximum (100A, 125A)  
 Flexible conductor: 10mm<sup>2</sup> maximum (32A), 16mm<sup>2</sup> maximum (63A), 35mm<sup>2</sup> maximum (100A, 125A)

Poles	In (A)
1P	32, 63, 125
2P	63, 125
3P	63, 100*, 125*
4P	63, 100*, 125

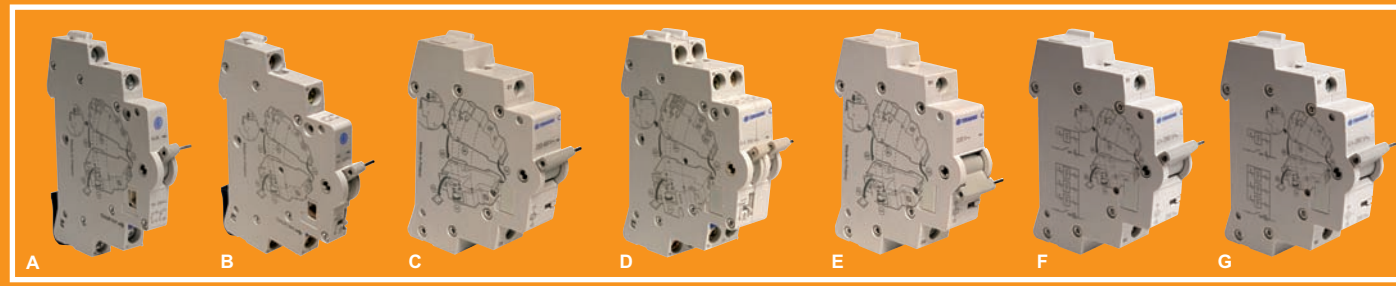
\*Available with red toggle

## DIMENSIONS





## ACCESSORIES



### Accessories for TD3 M06, TD3 M10, TD3 XA, TD3RCCB

- A Auxiliary contact, 1NO, 1NC, 6A, 230V AC . Not suitable for TD3RCCB
- B Alarm contact, 1NO, 1NC, 6A, 230V AC . Not suitable for TD3RCCB
- C RCCB switch. Combined auxiliary contact (1NO, 1NC, 6A, 230V AC) + Alarm contact (1NO, 1NC, 6A, 230V AC)
- D Shunt trip. RCCB switch (C) must be fitted before fitting the shunt trip to the TD3RCCB
- E Undervoltage trip. RCCB switch (C) must be fitted before fitting the undervoltage trip to the TD3RCCB
- G Overvoltage trip. Rated voltage, Un, 230V AC. Opens the circuit breaker if supply voltage exceeds 280V AC. RCCB switch (C) must be fitted before fitting the overvoltage trip to the TD3RCCB

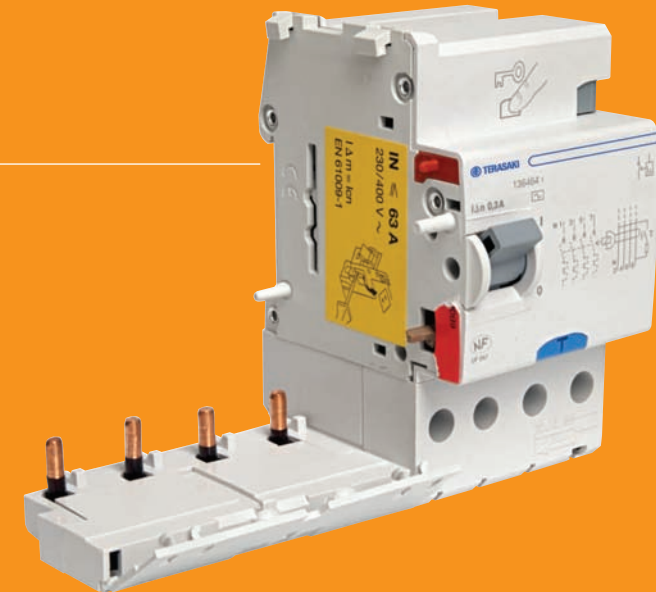
### Accessory Combinations

- TD3 M06, TD3 M10, TD3 XA: auxiliary contact + alarm contact + (shunt trip or undervoltage trip or overvoltage trip)
- TD3RCCB: RCCB switch + (shunt trip or undervoltage trip or overvoltage trip)

### Residual Current Block for TD3 M06, TD3 M10

- Function: detection and interruption of earth leakage current
- Application: Mechanically coupled to miniature circuit breaker

In = 63A maximum			
DIN Modules	30mA	300mA	1000mA
2	2 Types AC, A	Types AC, A	
4	4 Types AC, A	Types AC, A	Types AC A, S



### Padlock

Suitable for locking TD3 M06, TD3 M10, TD3 XA miniature circuit breakers in the open or closed positions. Suitable for locking TD31P1M miniature circuit breakers in the open position only. Accepts two padlocks with hasp diameter up to 4.75mm, or three padlocks with hasp diameter up to 3mm. The miniature circuit breaker may be mounted, or removed from the DIN rail with the padlock in position.

### Handle for TD3 ICP

Rotary handle clips onto TD3 ICP miniature circuit breakers, and operates the device from outside the door.



Safety and protection are the prime purposes of Terasaki products. Our range of DIN Modular Protection products covers ratings from 0.5A to 125A and includes:

- Circuit breakers for overload and short-circuit protection
- Residual current devices for the prevention of electric shock and fires
- Circuit breakers combining overload, short-circuit and residual current protection

With more than 500 items in the range, there is a solution for most applications.



### TERASAKI ELECTRIC (EUROPE) LTD.

80 Beardmore Way, Clydebank Industrial Estate  
Clydebank, Glasgow, G81 4HT, Scotland (UK)  
Telephone: 44-141-941-1940  
Fax: 44-141-952-9246  
Email: marketing@terasaki.co.uk  
<http://www.terasaki.com/>

### TERASAKI ITALIA s.r.l.

Via Ambrosoli, 4A-20090 Rodano, Milano, Italy  
Telephone: 39-02-92278300  
Fax: 39-02-92278320  
Email: info@terasaki.it  
<http://www.terasaki.it/>

### TERASAKI ESPAÑA S.A.U.

Pol. Ind. Coll de Manyà, Galileu Galilei, 19-21, 08403  
Granollers, Barcelona, Spain  
Telephone: 34-93-879-60-50  
Fax: 34-93-870-39-05  
Email: terasaki@terasaki.es  
<http://www.terasaki.es/>

### TERASAKI SKANDINAVISKA AB

Box 2082, SE-128 22 Skarpnäck, Sweden  
Telephone: 46-8-556-282-30  
Fax: 46-8-556-282-39  
Email: info@terasaki.se  
<http://www.terasaki.se>

### TERASAKI CIRCUIT BREAKERS (S) PTE. LTD.

9 Toh Guan Road East 03-01 Alliance Building  
Singapore 608604  
Telephone: 65-6425-4915  
Fax: 65-6425-4351  
Email: tecs@pacific.net.sg

### TERASAKI ELECTRIC (M) SDN, BHD.

Lot 3, Jalan 16/13D, 40000 Shah Alam, Selangor Darul  
Ehsan, Malaysia  
Telephone: 60-3-5549-3820  
Fax: 60-3-5549-3960  
Email: terasaki@terasaki.com.my

### TERASAKI DO BRASIL LTDA.

Rua Cordovil, 259-Parada De Lucas, 21250-450  
Rio De Janeiro-R.J., Brazil  
Telephone: 55-21-3301-9898  
Fax: 55-21-3301-9861  
Email: terasaki@terasaki.com.br  
<http://www.terasaki.com.br>

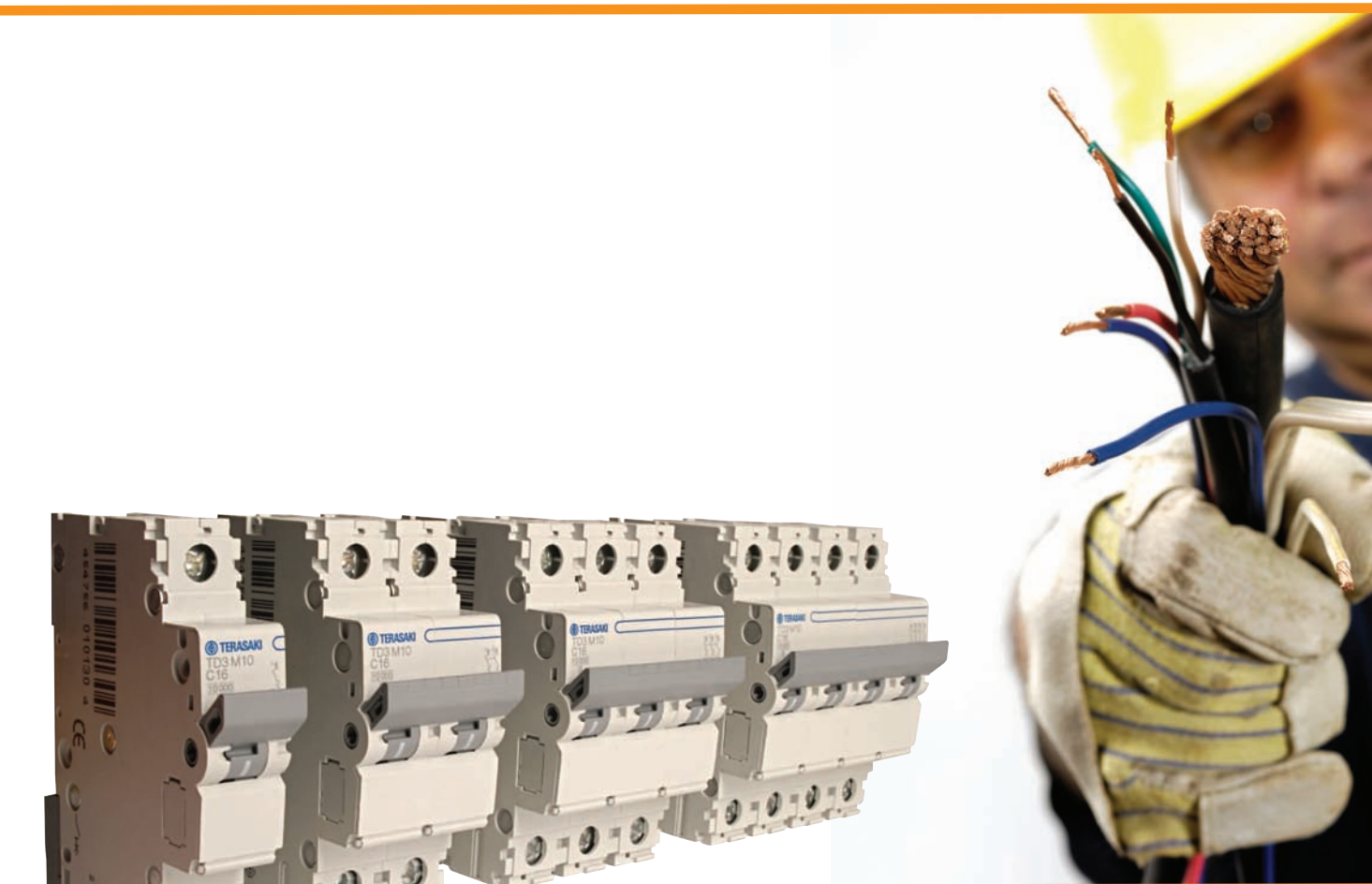
### TERASAKI ELECTRIC (CHINA) LTD.

72 Pacific Industrial Park, Xin Tang Zengcheng,  
Guangzhou 511340, China  
Telephone: 86-20-8270-8556  
Fax: 86-20-8270-8586  
Email: terasaki@public.guangzhou.gd.cn

### TERASAKI ELECTRIC CO., LTD.

Head Office: 7-2-10 Hannancho, Abenoku  
Osaka, Japan  
Circuit Breaker Division: 7-2-10 Kamihigashi, Hiranoku  
Osaka, Japan  
Telephone: 81-6-6791-9323  
Fax: 81-6-6791-9274  
Email: int-sales@terasaki.co.jp  
<http://www.terasaki.co.jp/>

Ratings and specifications are subject to change without notice.  
CAT REF. 10-P64EU



## DIN Modular Protection

*For Final Circuits in Industrial  
and Commercial Buildings*