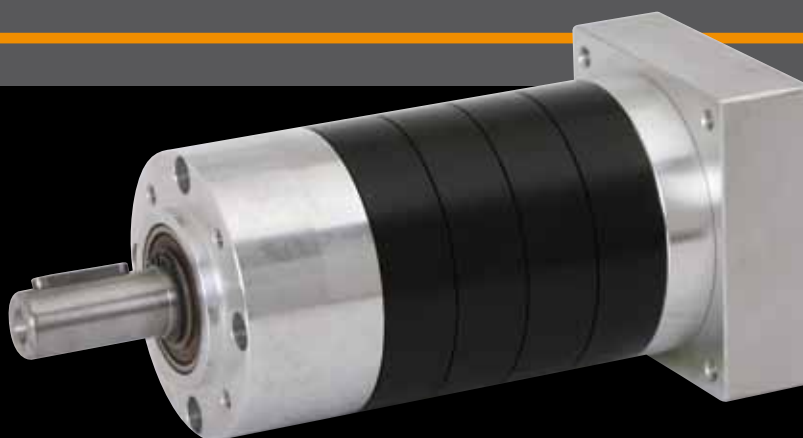
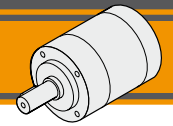




RIDUTTORI EPICICLOIDALI
PLANETARY GEARBOXES





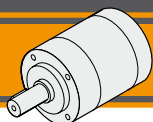
Indice	Index	Pag. Page
Caratteristiche tecniche	<i>Technical features</i>	G2
Designazione	<i>Classification</i>	G2
Versioni	<i>Versions</i>	G2
Simbologia	<i>Symbols</i>	G2
Lubrificazione	<i>Lubrication</i>	G3
Carichi radiali e assiali	<i>Radial and axial loads</i>	G3
Rendimento	<i>Efficiency</i>	G3
Dati tecnici	<i>Technical data</i>	G4
Dimensioni	<i>Dimensions</i>	G5
Opzioni	<i>Options</i>	G12



Questa sezione annulla e sostituisce ogni precedente edizione o revisione. Qualora questa sezione non Vi sia giunta in distribuzione controllata, l'aggiornamento dei dati ivi contenuto non è assicurato. **In tal caso la versione più aggiornata è disponibile sul nostro sito internet www.transtecno.com**

*This section replaces any previous edition and revision. If you obtained this catalogue other than through controlled distribution channels, the most up to date content is not guaranteed. **In this case the latest version is available on our web site www.transtecno.com***





P

RIDUTTORI EPICICLOIDALI PLANETARY GEAR UNITS

Caratteristiche tecniche

Technical features

I riduttori epicicloidali della serie P hanno le seguenti caratteristiche principali:

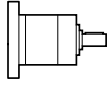
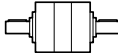
P planetary gearboxes have the following features:

- Ingresso ed uscita coassiali
- Senso di rotazione concorde ingresso/uscita
- Alte coppie in ingombri ridotti
- Adatti per servizio continuo ed intermittente

- *Coaxial arrangement of the input and output*
- *Same rotation input/output*
- *Advantageous torque with minimum space requirements*
- *Suitable for continuous, reversing and intermittent operation*

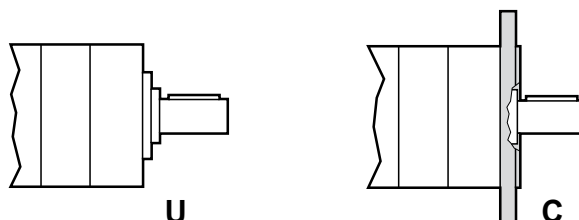
Designazione

Classification

RIDUTTORE / GEARBOX				
P	52	2	C	34.97
Tipo Type	Grandezza Size	Stadi riduttore Gearbox stages	Versione riduttore Gearbox Version	Rapporto Ratio
P 	42 52 62 72 81	1 2 3	U C80 C90 C105 C120 C140 C160	Vedere tabella See tables
PIS 	105 120			

Versioni

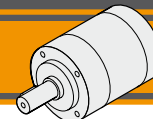
Versions



Simbologia

Symbols

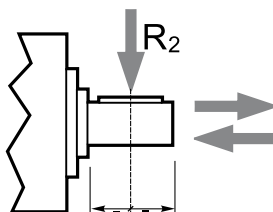
N_s	Stadi / Stages	M_{n_2} [Nm]	Coppia nominale in uscita / Nominal output torque
n_1 [min ⁻¹]	Velocità in ingresso / Input speed	Rd %	Rendimento dinamico / Dynamic efficiency
n_2 [min ⁻¹]	Velocità in uscita / Output speed	A_2 [N]	Carico assiale ammissibile in uscita / Permitted output axial load
i	Rapporto di riduzione / Ratio	R_2 [N]	Carico radiale ammissibile in uscita / Permitted output radial load


Lubrificazione
Lubrication

Tutti i riduttori P sono forniti completi di lubrificante, pertanto possono essere installati in qualunque posizione di montaggio e non necessitano di manutenzione.

Permanent grease long-life lubrication makes it possible to use P in all mounting positions.

Temperatura ambiente di funzionamento consentita / <i>Operating environmental temperature range</i>	-50 / +40 °C
---	--------------

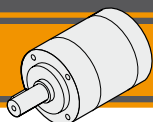
Carichi radiali e assiali
Radial and axial loads


$$n_1 = 3000 \text{ min}^{-1}$$

Grandezza Size	Albero uscita / <i>Output shaft</i>						Albero entrata / <i>Input shaft</i>	
	1 stadio / <i>stage</i>		2 stadi / <i>stages</i>		3 stadi / <i>stages</i>		1 - 2 - 3 stadi / <i>stages</i>	
	R ₂ [N]	A ₂ [N]	R ₂ [N]	A ₂ [N]	R ₂ [N]	A ₂ [N]	R ₂ [N]	A ₂ [N]
P42	160	50	230	80	300	110	70	40
P52	200	60	320	100	450	150	110	50
P62	240	70	360	100	520	150	120	60
P72	320	70	480	100	760	160	160	80
P81	400	80	600	120	1000	200	200	100
P105	600	120	900	180	1500	300	240	125
P120	600	120	900	180	1500	300	300	150

Rendimento
Efficiency

Stadi / <i>Stage (Ns)</i>	1	2	3
Rendimento / <i>Efficiency (Rd)</i>	0.80	0.75	0.70



P

**RIDUTTORI EPICICLOIDALI
PLANETARY GEAR UNITS**

Dati tecnici

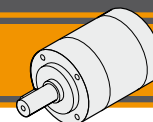
3000 rpm

Technical data

Ns	i	Mn ₂ [Nm]						
		P42	P52	P62	P72	P81	P105	P120
1	3.70	3	4	8	14	20	35	50
	4.28							—
	5.18							—
	6.75							50
2	13.73	7.5	12	25	42	60	105	150
	15.88							—
	18.36							—
	19.20							—
	22.20							—
	25.01							150
	26.85							—
	28.93							—
	34.97							—
	45.56							150
3	50.89	15	25	50	84	120	195	300
	58.85							—
	68.06							—
	71.16							—
	78.71							—
	92.70							300
	95.17							—
	99.50							—
	107.20							—
	115.07							—
	123.97							—
	129.62							—
	139.13							—
	149.90							—
	168.84							300
	181.24							—
	195.26							—
236.09	—							
307.54	300							

Rapporti preferenziali / Preferred ratios

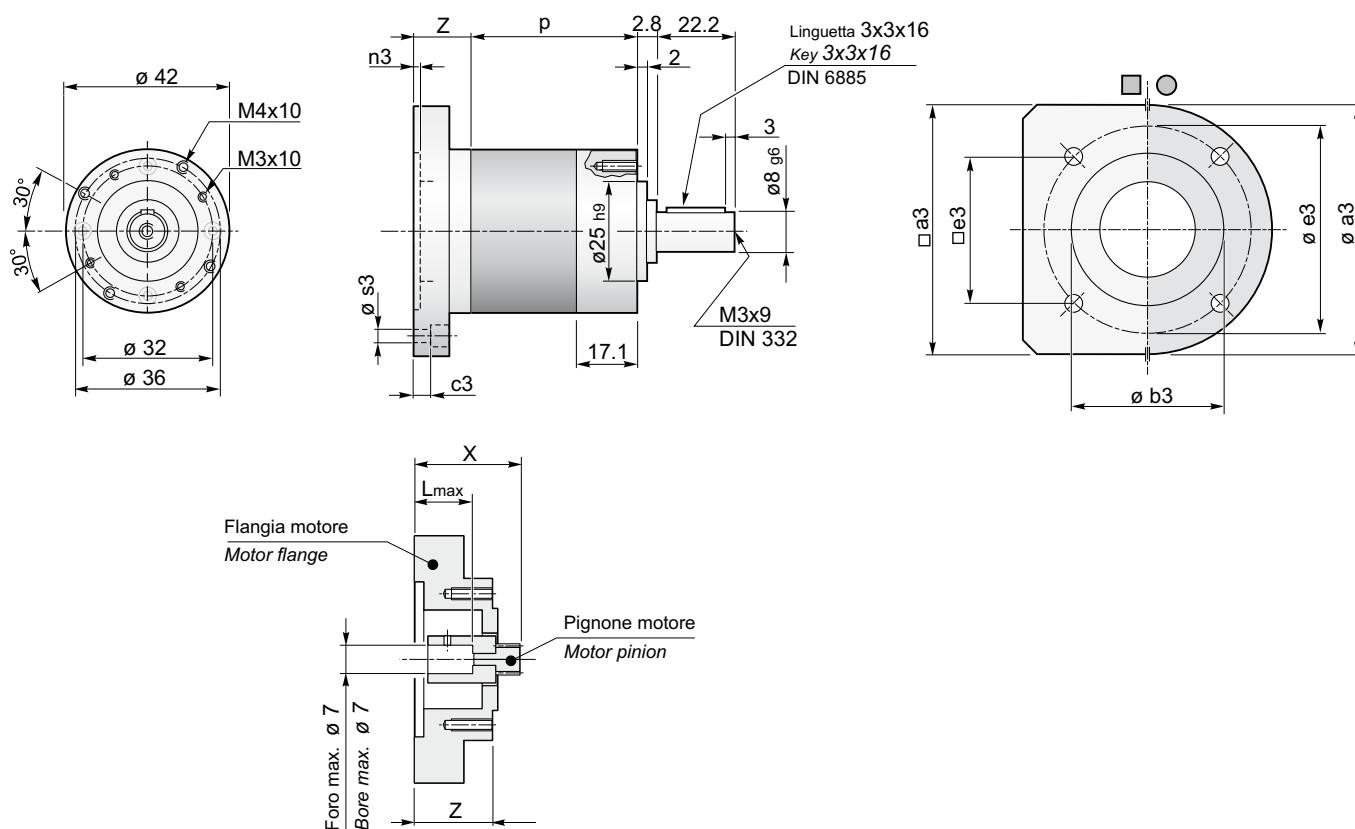
Disponibili 4 stadi con rapporti fino a 2076 / Available 4 stages with ratio up to 2076



Dimensioni

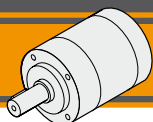
Dimensions

P42 U



		Lunghezza riduttore Gearbox length
		P
P42...	1	39
	2	52
	3	65

	Flange entrata / Input flanges									
	Flangia Flange	a3	b3	c3	e3	n3	s3	Z	L max	X
P42	AS05	□ 42	22	17	□ 31	3	4 - Ø 3.5	32	25	42.7
	AS11	□ 56	38.1	/	□ 47.14	3	4 - M4	27	21	37.5
	AS32	Ø 42	22	13	Ø 32	3	4 - Ø 3.5	21	15	31.5
	AS33	Ø 42	16	16	Ø 25.5	3	4 - Ø 3.5	21	15	31.5
	AS47	Ø 64	28	5	Ø 50	3	3 - Ø 4.5	26.5	25	37
	AS58	□ 52	36	/	□ 41	2	4 - M4	27	21	37.5
	AS63	Ø 44	16	24	Ø 22	2	6 - Ø 3.3	31	25	39
	AS70	Ø 80	50	8.2	Ø 65	3	4 - Ø 5.5	26	20	36.5
	AS117	□ 56	22	3	Ø 40	3	4 - Ø 5.5	19	13	29.7
				/	□ 47		4 - M4			
	AS130	Ø 52	25	15	Ø 40	3	4 - Ø 5.5	21	15	31.5
	AS134	Ø 77	50	8.2	Ø 65	3	4 - Ø 5.5	21	15	31.5
/				Ø 65	4 - M5					
AS213	□ 60	36	/	□ 50	2.5	4 - M4	28.9	23	39.4	



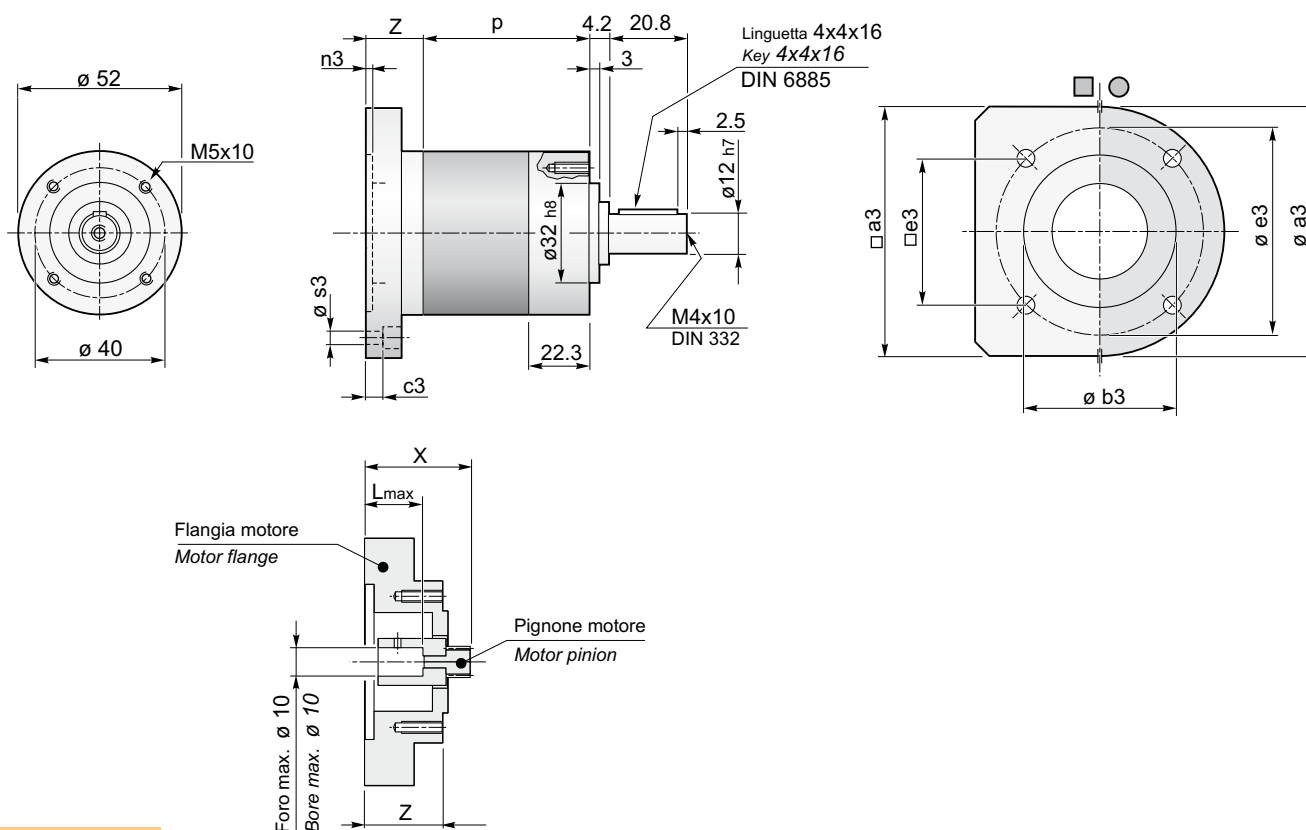
P

**RIDUTTORI EPICICLOIDALI
PLANETARY GEAR UNITS**

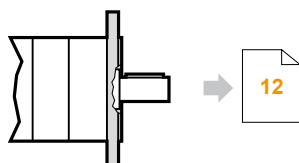
Dimensioni

Dimensions

P52 U

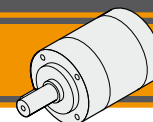


P52 C..



		Lunghezza riduttore Gearbox length
		P
P52...	1	46
	2	60
	3	74

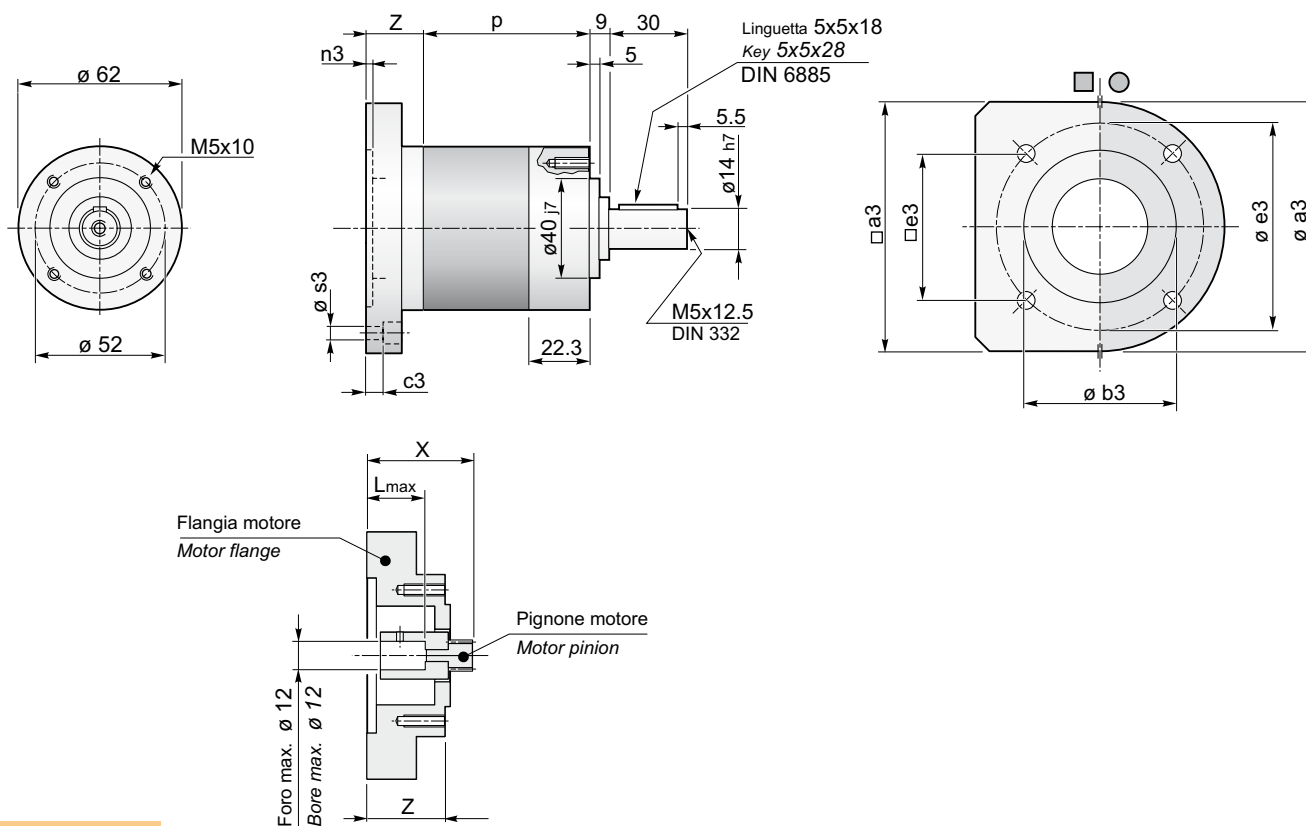
	Flange entrata / Input flanges									
	Flangia Flange	a3	b3	c3	e3	n3	s3	Z	L max	X
P52	AS09	□ 60	36	/	□ 50	2	4 - M4	27	20.6	37.5
	AS23	∅ 60	26	17.5	∅ 39	3	4 - ∅ 5.5	26.5	20	37
	AS36	∅ 60	28	15	∅ 42	3	4 - ∅ 5.5	21	15	31.5
	AS38	∅ 65	32	18	∅ 46	3	4 - ∅ 4.5	29	22.5	39.5
	AS50	∅ 79	45	14.5	∅ 65.5	3.5	4 - ∅ 5.5	32	24	42.5
	AS51	∅ 68	28	21.5	∅ 50	3	3 - ∅ 4.5	31.5	24	42
	AS60	∅ 80	50	10.2	∅ 65	3	4 - ∅ 5.5	28	20	38.5
	AS68	∅ 52	22	13	∅ 30	3	4 - ∅ 4.5	28	20	38.5
	AS86	∅ 52	30	/	∅ 46	3	4 - M4	33.5	25	44
	AS109	∅ 80	55	10	∅ 65	3	4 - ∅ 6.5	24	16	34.5
	AS115	∅ 52	25	17.5	∅ 40	3	4 - ∅ 5.5	26.5	20	37
	AS140	∅ 80	50	10.2	∅ 65	3	4 - ∅ 5.5	28	20	38.5



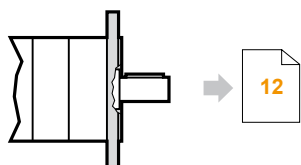
Dimensioni

Dimensions

P62 U

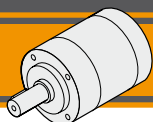


P62 C..



		Lunghezza riduttore Gearbox length
		P
P62...	1	46
	2	62
	3	78

Flange entrata / Input flanges										
Flangia Flange	a3	b3	c3	e3	n3	s3	Z	L max	X	
P62 AS08	□ 60	50	/	□ 49.5	4	4 - M4	37	30	49.8	
AS12	□ 84.5	73.02	/	□ 69.6	2	4 - M5	40	30	52.8	
AS15	□ 58	38.1	/	□ 47.14	2	4 - M4	30	20.6	42.8	
AS61	Ø 90	60	7	Ø 75	3	4 - Ø 5.5	30	23	42.8	
AS244	Ø 80	50	5	Ø 65	3.5	4 - Ø 5.5	28	20	40.8	



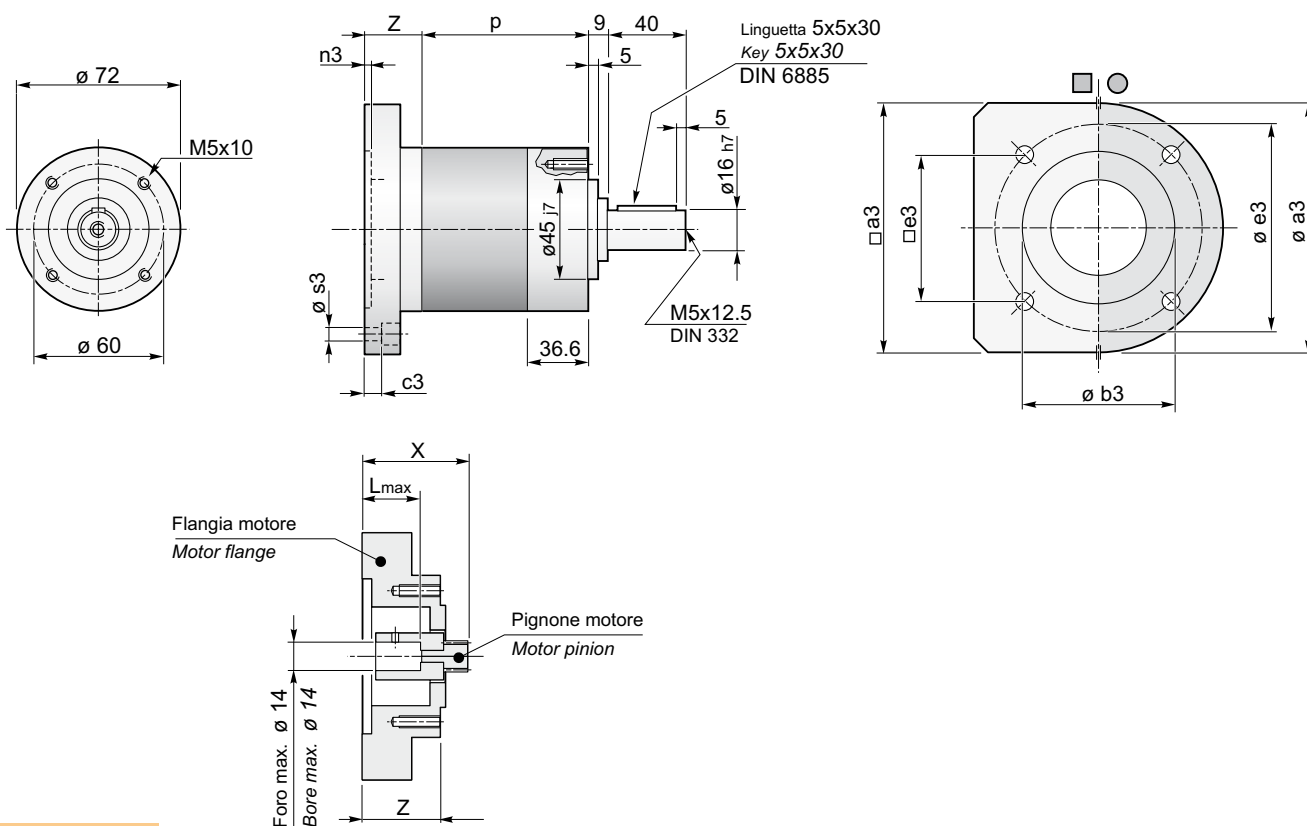
P

**RIDUTTORI EPICICLOIDALI
PLANETARY GEAR UNITS**

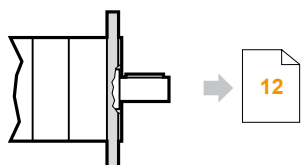
Dimensioni

Dimensions

P72 U

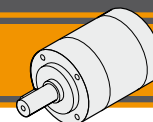


P72 C..



		Lunghezza riduttore Gearbox length
		P
P72...	1	56.9
	2	76.5
	3	96.1

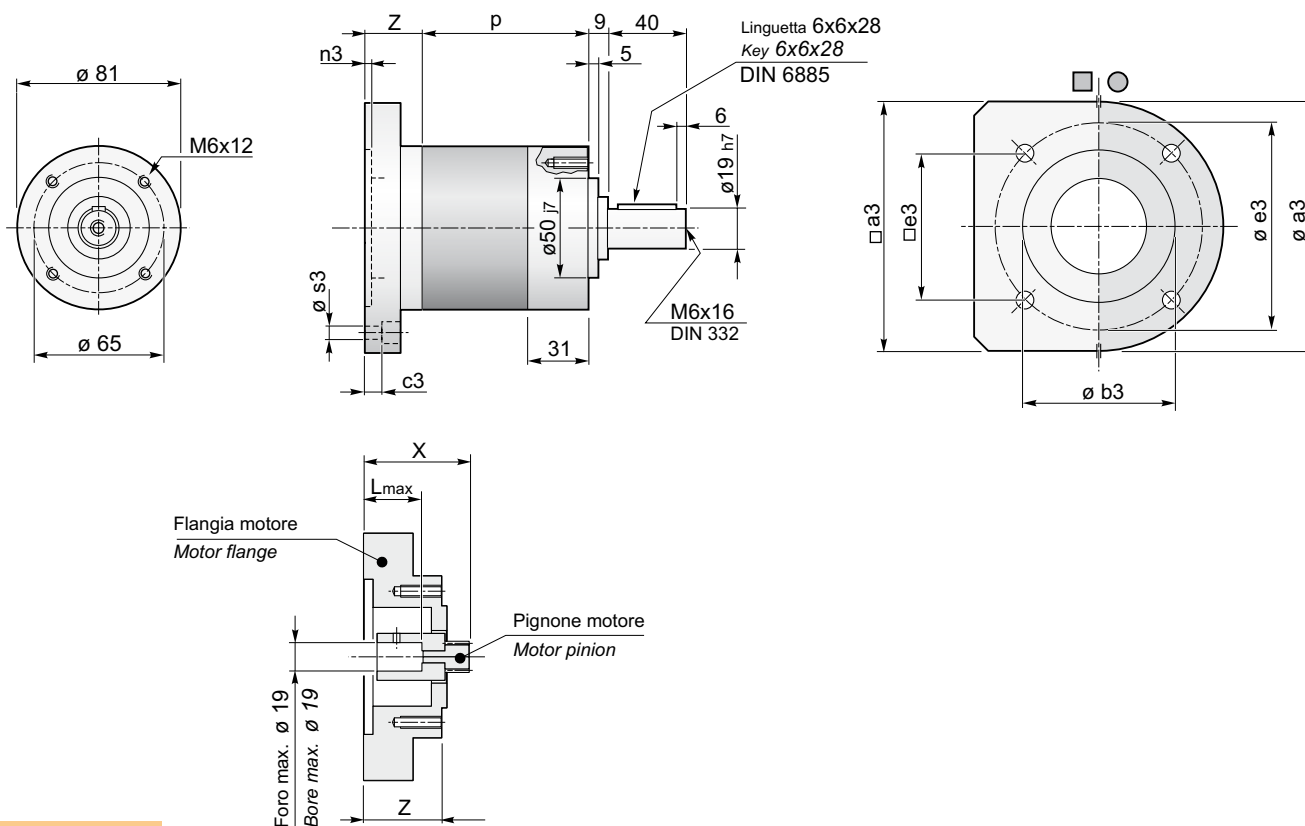
P72	Flange entrata / Input flanges									
	Flangia Flange	a3	b3	c3	e3	n3	s3	Z	L max	X
	AS245	$\phi 80$	50	5	$\phi 65$	4.5	4 - $\phi 5.5$	25	20	38.9
	AS246	$\phi 90$	60	5	$\phi 75$	3.5	4 - $\phi 5.5$	28	23	41.9
	AS247	$\phi 105$	70	6	$\phi 85$	4	4 - $\phi 6.5$	35	30	48.9



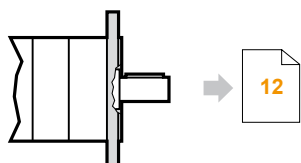
Dimensioni

Dimensions

P81 U

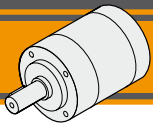


P81 C..



		Lunghezza riduttore Gearbox length
		P
P81...	1	59
	2	81
	3	103

	Flange entrata / Input flanges									
	Flangia Flange	a3	b3	c3	e3	n3	s3	Z	L max	X
P81	AS04	□ 100	95	25	∅ 115	3.5	4 - ∅ 9	43	30	59.3
	AS12B	□ 85	73.02	—	□ 69.6	2	4 - M5	43	30	59.3
	AS18	∅ 114	80	26	∅ 100	4	4 - ∅ 6.5	53	40	69.3
	AS30	∅ 80	50	35.5	∅ 70	3.5	4 - ∅ 5.5	42.5	28	58.8
	AS40	□ 80	70	26.5	∅ 90	4	4 - ∅ 6.5	52.5	40	68.8
	AS73	□ 110	55.524	49.8	□ 88.9	2	4 - ∅ 8.5	67.8	55.63	84.1
	AS92	□ 85	35	—	□ 69.6	10.5	4 - M5	53	40.2	69.3
	AS248	∅ 80	50	5	∅ 65	3.5	4 - ∅ 5.5	32	20	48.3
	AS249	∅ 90	60	5	∅ 75	3.5	4 - ∅ 5.5	35	23	51.3
	AS254	∅ 105	70	6	∅ 85	4	4 - ∅ 6.5	42	30	58.3
	AS280	∅ 120	80	8	∅ 100	4	4 - ∅ 6.5	52	40	68.3



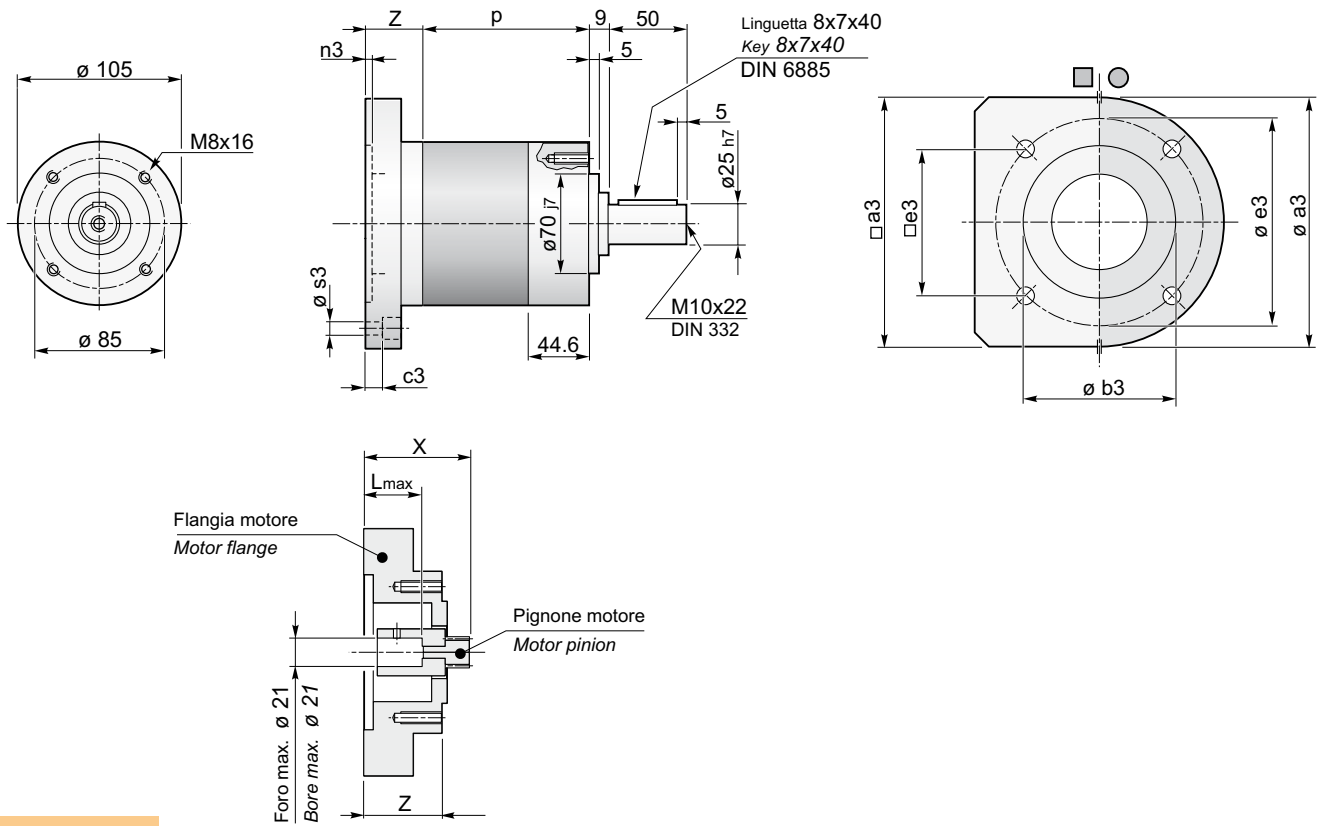
P

**RIDUTTORI EPICICLOIDALI
PLANETARY GEAR UNITS**

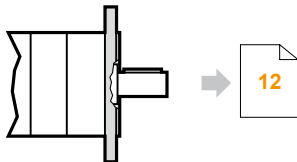
Dimensioni

Dimensions

P105 U

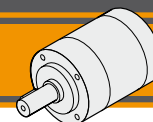


P105 C..



		Lunghezza riduttore Gearbox length
		P
P105...	1	76.4
	2	107.5
	3	138.5

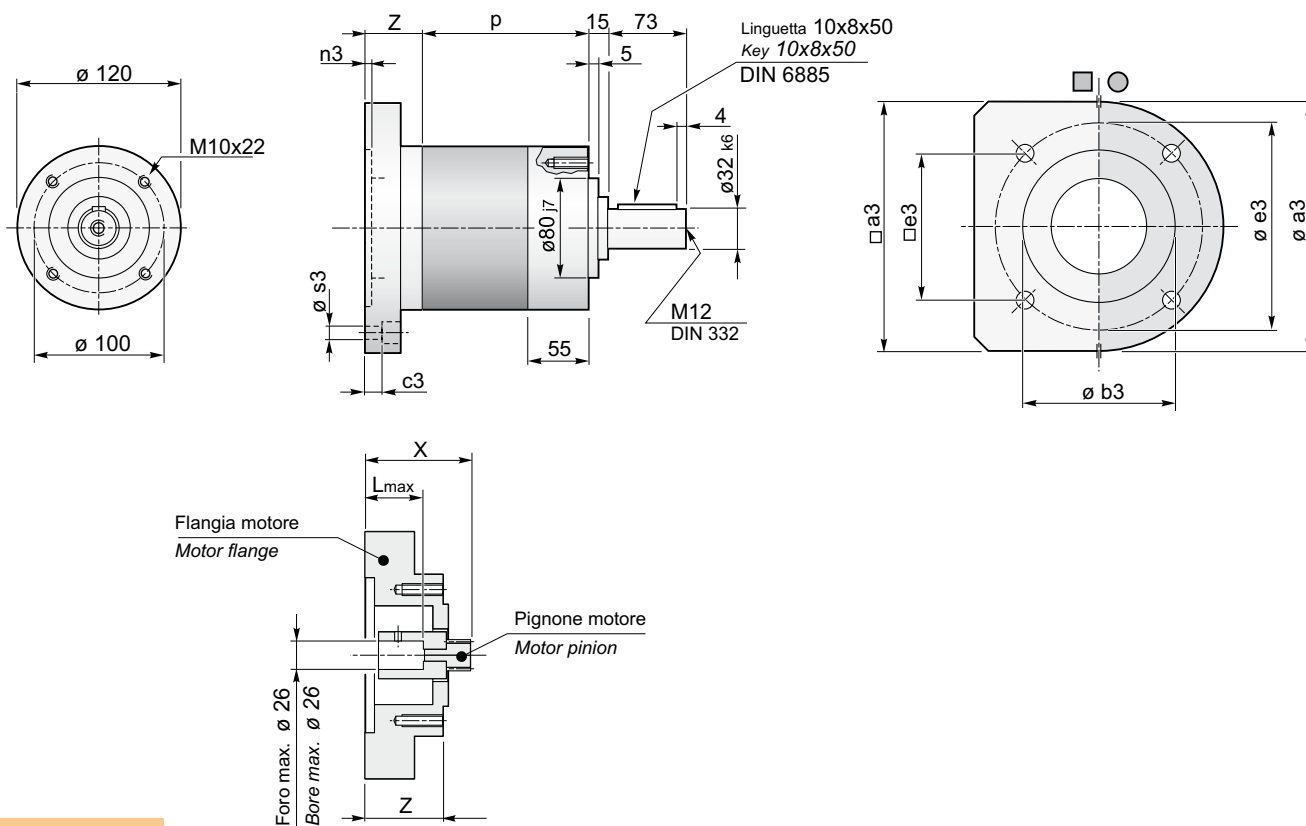
P105	Flange entrata / Input flanges									
	Flangia Flange	a3	b3	c3	e3	n3	s3	Z	L max	X
	AS250	$\varnothing 105$	50	5	$\varnothing 65$	3.5	4 - $\varnothing 5.5$	36.5	20	52.3
	AS251	$\varnothing 105$	60	5	$\varnothing 75$	3.5	4 - $\varnothing 5.5$	36.5	23	55.3
	AS252	$\varnothing 105$	70	6	$\varnothing 85$	4	4 - $\varnothing 6.5$	43.5	30	62.3
	AS281	$\varnothing 120$	80	8	$\varnothing 100$	4	4 - $\varnothing 6.5$	54	40	72.3



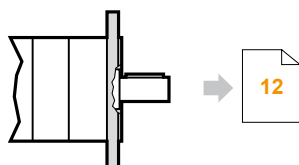
Dimensioni

Dimensions

P120 U

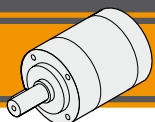


P120 C..



		Lunghezza riduttore Gearbox length
		P
P120...	1	89.7
	2	123.9
	3	158.1

P120	Flange entrata / Input flanges									
	Flangia Flange	a3	b3	c3	e3	n3	s3	Z	L max	X
	AS255	Ø 120	50	5	Ø 65	3.5	4 - Ø 5.5	41.4	20	60.2
	AS256	Ø 120	60	5	Ø 75	3.5	4 - Ø 5.5	41.4	23	63.2
	AS257	Ø 120	70	6	Ø 85	4	4 - Ø 6.5	43.5	30	70.2
	AS282	Ø 120	80	8	Ø 100	4	4 - Ø 6.5	53.5	40	80.2
	AS283	Ø 140	95	10	Ø 115	4.5	4 - Ø 8.5	63.5	50	90.2



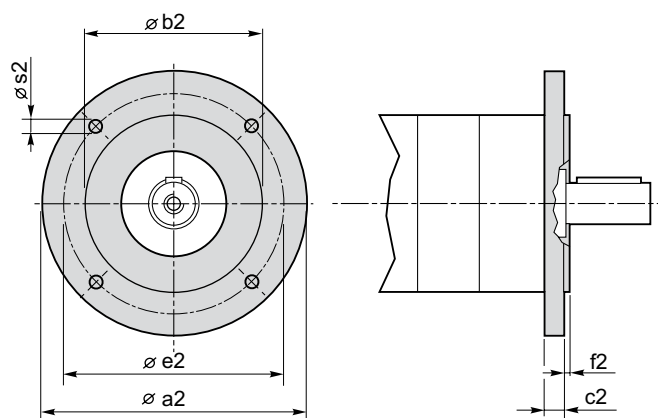
P

**RIDUTTORI EPICICLOIDALI
PLANETARY GEAR UNITS**

Dimensioni

Dimensions

P.. C..



Flange uscita / Output flanges

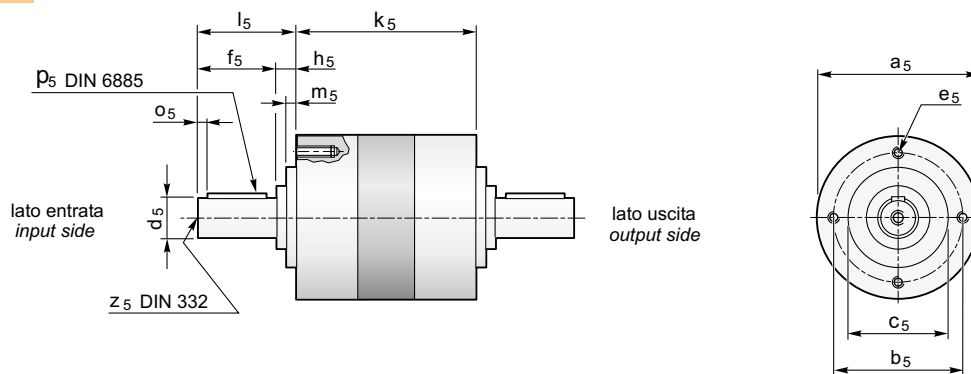
P	a2	b2	c2	e2	f2	s2	Flangia Flange
52	80	50 j7	9	65	2.5	M5	C80
	90	60 j7	9	75	2.5	5.5	C90
	105	70 j7	9	85	2.5	6.5	C105
	120	80 j7	9	100	3.0	6.5	C120
62	80	50 j7	9	65	2.5	M5	C80
	90	60 j7	9	75	2.5	5.5	C90
	105	70 j7	9	85	2.5	6.5	C105
	120	80 j7	9	100	3.0	6.5	C120
72	80	50 j7	9	65	2.5	M5	C80
	90	60 j7	9	75	2.5	M5	C90
	105	70 j7	9	85	2.5	6.5	C105
	120	80 j7	9	100	3.0	6.5	C120
81	90	60 j7	9	75	2.5	M5	C90
	105	70 j7	9	85	2.5	M6	C105
	120	80 j7	9	100	3.0	6.5	C120
105	120	80 j7	12	100	3	M6	C120
	140	95 j7	12	115	3.5	M8	C140
	160	110 j7	12	130	3.5	M8	C160
120	140	95 j7	15	115	3	M8	C140
	160	110 j7	15	130	3.5	M8	C160

Opzioni

Options

PIS

Albero in ingresso / Input shaft



stadi / stages	P 42			P 52			P 62			P 72			P 81			P 105			P 120		
	1	2	3	1	2	3	1	2	3	1	2	3	1	2	3	1	2	3	1	2	3
k5	61	74	87	71	85	99	69	86	103	83	102	122	90	112	134	106	137	169	132	166	200
a5	42			52			62			72			81			105			120		
b5	36			40			52			60			65			85			100		
c5	25 h9			32 h8			40 j7			45 j7			50 j7			70 j7			80 j7		
d5	6 h7			10 h7			12 h7			14 h7			16 h7			19 h7			28 h7		
e5	M4 x 10 (4 x 90°)			M5 x 10 (4 x 90°)			M5 x 10 (4 x 90°)			M5 x 10 (4 x 90°)			M6 x 12 (4 x 90°)			M8 x 16 (4 x 90°)			M10 x 22 (4 x 90°)		
f5	22.2			20			30			30			40			40			58		
h5	2.8			5			9			9			9			9			15		
l5	25			25			39			39			49			49			73		
m5	2			3			5			5			5			5			5		
o5	3			2			5			5.5			5			6			4		
p5	A 2 x 2 x 16			A 3 x 3 x 16			A 4 x 4 x 20			A5x5x22			A 5 x 5 x 30			A 6 x 6 x 28			A 10 x 8 x 50		
z5	—			M3 x 9			M4 x 10			M5x12.5			M5 x 12.5			M6 x 16			M10 x 22		

● ● ●
TRANSTECNOTM
THE MODULAR GEARMOTOR

www.transtecno.com.ua
www.transtecno.com

Официальный дистрибьютор TRANSTECNO в Украине



Украина, 03680, г. Киев, б-р И. Лепсе, 4.
Т. (0-44) 496-18-88, ф. 496-18-18. office@sv-altera.com

Винница

т. (0-432) 52-30-13, ф. 52-30-98
svaltera@utel.net.ua

Днепропетровск

т. (0-56) 745-68-35, 374-66-86;
ф. (0-562) 36-87-78
svaltera@a-teleport.com

Донецк

т. (0-62) 385-35-96,
385-35-97, 348-12-39
office@svaltera.dn.ua

Житомир

т. (0-412) 48-03-77,
zhitomir@svaltera.ua

Запорожье

т. (0-61) 224-34-80,
701-11-49, 222-48-55;
ф. 222-48-56
svaltera_zp@svaltera.ua

Ивано-Франковск

т./ф. (0-342): 72-21-22, 72-32-33
i-f@svaltera.ua

Кировоград

т./ф. (0-522) 33-93-44, 27-31-43
kirovograd@svaltera.ua

Кременчуг

т. (0-5366) 4-86-67, ф. 4-13-79
kremenchug@svaltera.ua

Кривой Рог

т. (0-56) 409-32-89
svaltera_kr@optima.com.ua

Львов

т. (0-32): 297-66-90, 297-00-14
ф. (0-32) 297-10-72
svaltera@svaltera.lviv.ua

Луганск

Т./ф. (0-642) 93-72-50, 93-72-95
svaltera_lg@svaltera.ua

Николаев

т. (0-512): 58-06-33, 58-06-41
ф. (0-512) 58-06-39
svaltera_nik@mksat.net

Одесса

т./ф. (0-482) 33-28-60, 33-28-61,
(0-48) 729-73-90
office@sv-altera.od.ua

Ровно

т. (0-362) 69-05-35,
ф. 69-05-27
svaltera@rivne.com

Сумы

т. (0-542) 77-55-79, 77-55-82
svaltera_sm@svaltera.ua

Харьков

т. (0-57) 758-72-91, 758-62-12
svaltera_kh@svaltera.ua

Черкассы

т./ф. (0-472) 63-96-45, 63-55-23,
56-94-37
e-mail: cherkassy@svaltera.ua

Кишинёв (республика Молдова)

ICS "ElectroTehnoImport" SRL
str. Gradina Botanica 2/1
Chisinau MD 2002
Tel./Fax: (+37322) 844-688
Tel: (+37322) 92-11-71, 92-12-72
www.electroimport.md

www.svaltera.ua